

2PZ 2PS 1SH 1PH 2FB 2WF 7) 2BF 6) 1FV 1WF 7)

6 720 803 859-01.1T

Switching states

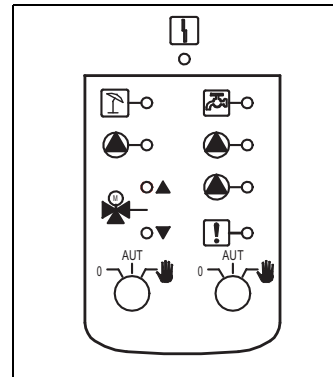
Heating circuit

Switch position	K1	K2	K3
0			
AUT	Pump control mode	Colder control mode	Hotter control mode

Drinking water circuit

Switch position	K4	K6
0		Control mode
AUT	Pump control mode	

Module - Front view

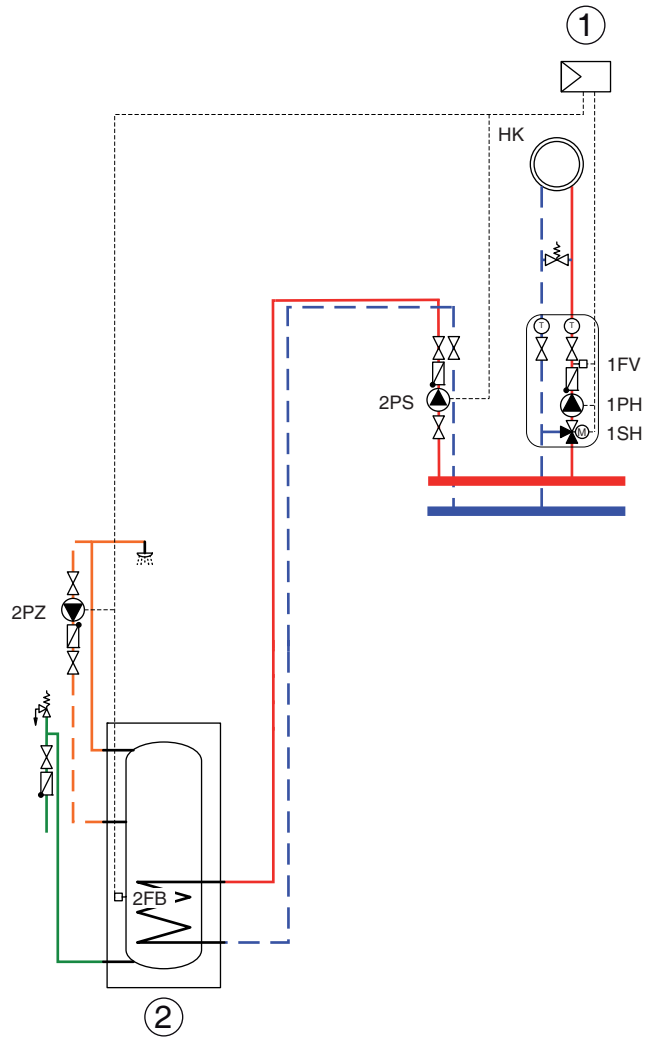


- ▶ Electrical work may only be carried out by a qualified electrician.
- ▶ Carry out electrical work in accordance with the current standards and local regulations.
- ▶ Install mains connection so that it is fixed and in the correct phase.
- ▶ Ensure that the total current does not exceed the rating stated on the data plate.
- ▶ Ensure that a circuit breaker in accordance with applicable standards is present to disconnect all poles from the mains power supply. If there is no circuit breaker present, you must install one.
- ▶ Do not use the yellow/green earth lead as a control cable.
- ▶ Before opening the control unit, isolate all poles of the heating system via the circuit breaker. Secure against unintentional reconnection.
- ▶ Fasten the wires of each electrical cable to each other (e.g. with cable ties) or strip the cable sheath short, to prevent the risk of voltage flashes between 230 V and low voltage through unintentional loosening of a wire at the terminals.
- ▶ Observe the safety instructions in the documentation of the control unit and the modules used.

- Control voltage 230 V
AWG 14, max. 5 A
- Low voltage
0.4 mm² - 0.75 mm² / AWG 18

- Internal BUS in the control unit
- HK / WW module FM441/CMM910
- Input for automatic control
- Mains supply
- H03xx, 1.5 mm²
- Only one programmer may be assigned to each control unit. The programmer may either be plugged into the control module or connected via the room installation set (ancillary equipment).
- Observe the installation and service instructions.

- AUT Control mode
- 2BF Remote control programmer or TR25 heating circuit 2
- 2FB Hot water temperature sensor, heating circuit 2
- 1FV Flow temperature sensor, heating circuit 1
- HK Heating circuit
- 1PH Pump for heating circuit 1
- 2PS Cylinder charging pump, heating circuit 2
- 2PZ Circulation pump, heating circuit 2
- 1SH Actuator, heating circuit 1
- 1WF Selection function (volt-free), heating circuit 1
- 2WF Selection function (volt-free), heating circuit 2



6 720 803 859-02.1T

- 1 FM441/CMM910 function module
- 2 DHW heating, heating circuit 2